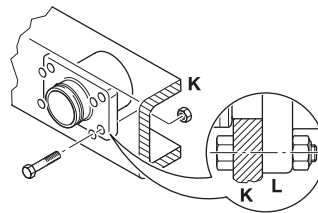
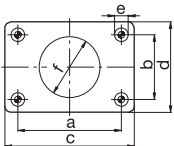
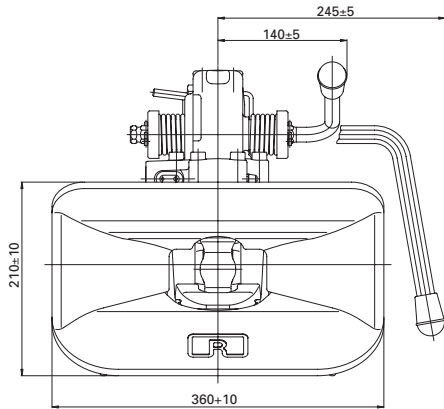
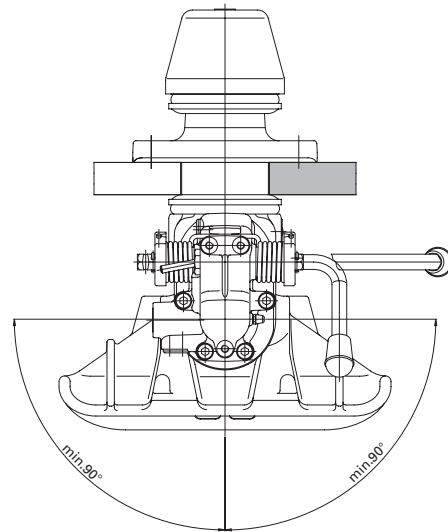
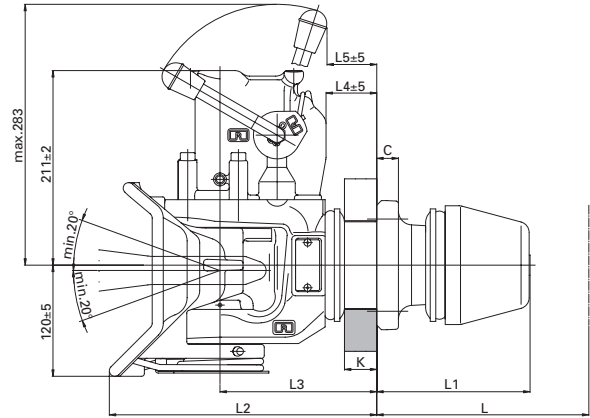


RO*40 CH

- DE** Vollautomatische Anhängerkupplung
- EN** Fully automatic towing hitch
- FR** Crochet d'attelage entièrement automatique
- IT** Gancio di traino automatico
- ES** Enganche para remolque totalmente automático



- a = 40 mm
DIN 74054, ECE R55-01 (Class S)
- a = 40 mm
CH (z. B. ROE 57229)
- a = 50 mm
DIN 74053, ECC R55-01 (Class D)



	a (mm)	b (mm)	c (mm)	d (mm)	e (mm)	f (mm)
135	120,0	55,0	155,0	90,0	15,0	74,0
145	140,0	80,0	180,0	120,0	17,0	84,0
150	160,0	100,0	200,0	140,0	21,0	94,0

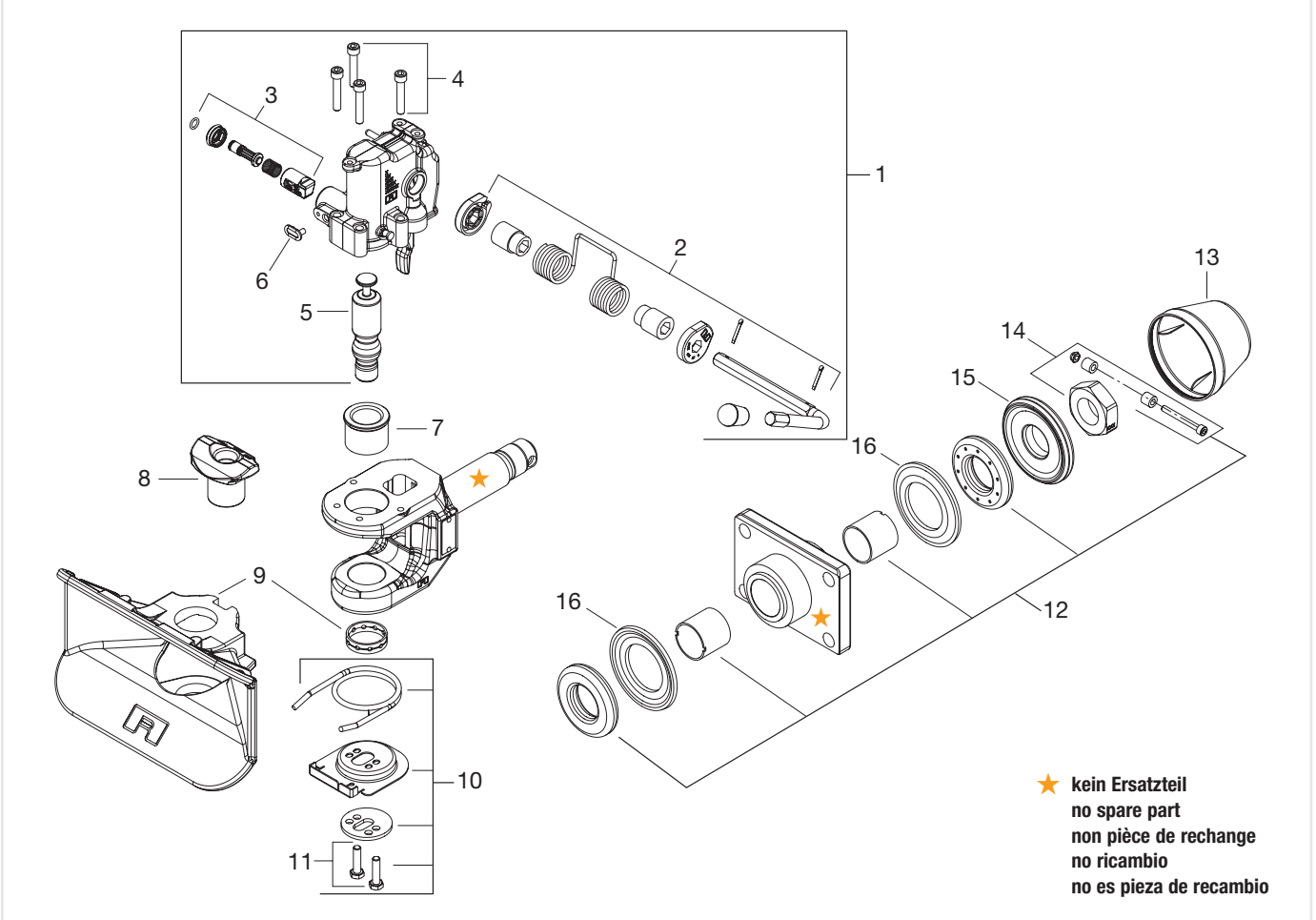
	L1 (mm)	L2 (mm)	L3 (mm)	L4 (mm)	L5 (mm)	K (mm)	C (mm)	Lm (mm)
135	147,0	286,0	166,0	51,0	49,0	11,0-32,0	22,0	180,0
145	166,0	290,0	170,0	55,0	49,0	11,0-35,0	23,5	230,0
150	166,0	290,0	170,0	55,0	49,0	11,0-35,0	23,5	230,0

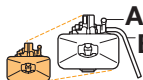

Technische Daten • Technical data • Données technique • Dati tecnici • Datos técnicos

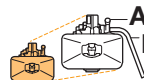

		(mm)	D (kN)	Dc (kN)	S (kg)	V (kN)	(kg)	ECE		
RO 413A36501	135	120 x 55	70	70,0	700	24,0	30,0	011605		
RO 413B36501	135	120 x 55	70	70,0	500	26,4	30,0	011605		
RO 413A46501	145	140 x 80	100	91,5	1000	36,0	33,0	011604		
RO 413B46501	145	140 x 80	100	91,5	1000	36,0	33,0	011604		
RO 413A51501	150	160 x 100	168	91,5	1000	36,0	35,0	011603		
RO 413B51501	150	160 x 100	168	91,5	1000	36,0	35,0	011603		

RO*40 CH

Ersatzteile • Spare parts • Pièces de rechange • Ricambi • Piezas de recambio



Pos		ROE	
01	A	ROE 71330A	1
	B	ROE 71330B	1
02	A	ROE 71644A	1
	B	ROE 71644B	1
03		ROE 71643	1
04		ROE 30396	1
05		ROE 47121	1
06		ROE 25558	1
07		ROE 53565	1
08		ROE 53566	1
09		ROE 46129	1
10		ROE 71331	1

Pos		ROE	
11		ROE 30486	1
12		ROE 71639	1
	G145/G150	ROE 71640	1
13		ROE 25254	1
	G145/G150	ROE 25347	1
14		ROE 71641	1
	G135	ROE 71642	1
	RO 413A/Bxx500	ROE 71796	1
	RO 413A/Bxx501	ROE 71796	1
15		ROE 12623	1
	G145/G150	ROE 12636	1
16		ROE 44130	2
	G135	ROE 44134	2